

## Metered Rack PDU

### **Rack PDU, Metered, Zero U, 5.7kW,120&208V,(21) 5-20&(6)L6-20**



APC Metered Rack PDU , Input: 208V 3PH ,  
Input Connections: NEMA L21-20P , Cord  
Length: 3 feet ( 0.91 meters ) , Output: 120V,  
208V , Output Connections: NEMA 5-  
20R,NEMA L6-20R

**Includes:** Installation guide, Rack Mounting  
brackets, Toolless Mounting Kit, User Manual

**Standard Lead Time:** Usually in Stock

## AP7863 Features

|                                |  |
|--------------------------------|--|
| Toolless Mounting Capabilities | Units do not require additional tools to mount into APC NetShelter VX, which allows the users to quickly and easily mount units in the rear of the enclosure.  |
| Vertical Mounting Capabilities | Easily mounts vertically in racks or enclosures and occupies zero U of valuable rack space, which allows more equipment in the rack. Units that mount vertically are optimized to fit in a NetShelter VX enclosures. |

## Metered Rack PDU Features & Benefits

### Availability

**Remote Management Capabilities** Full-featured network management interfaces that provide standards-based management via Web, SNMP, and Telnet. Allows users to access, configure, and manage units from remote locations to save valuable time. Associated with this feature is the ability to quickly and easily upgrade the firmware via network download to installed units for future product enhancements. (Note: Only applicable for units categorized as Networked).

**Local Current Monitoring Display** The aggregate current draw per power distribution unit is displayed on the unit via a digital display. The local digital display helps installers avoid overloaded circuits by providing a visible warning when the current draw is close to the maximum amperage draw of the strip.

**Alarm Thresholds** Define alarm thresholds in order to avoid overloaded circuits. Network and visual alarms inform the user of possible problems. (Note: Only available on units with the current monitoring capabilities. Please see SKU specifications for availability)

**Load indicator LED** Indicates overload and warning conditions based on the user-defined alarm thresholds. Alerts users of potential overloaded circuits.

**Integrates with InfraStruXure Central** An IT-ready, scalable monitoring system that collects, organizes, and distributes critical alerts, surveillance video and key information, providing a unified view of complex physical infrastructure environments from anywhere on the network

**Flash Upgradeable** Quickly and easily upgrade firmware via network download for future product enhancements. Eliminates the need to replace products already installed in the field when new features are released. (Note: Networked units only)

### Agility

**Rack-Mountable** Includes horizontal, vertical, and toolless-mount varieties. Puts power where it is needed most - in the racks near the equipment.

**Single input power source** Supply power from one branch whip to multiple pieces of equipment, conveniently powering rack-mount equipment. Saves time and money during installation by using one branch whip and standard connections.

**Wide range of input and output connections** Product family includes a variety of input and output connections to distribute 120V, 208V, or 230V power to multiple outlets. Having a variety of inputs and outputs allow users to adapt to varying power requirements. APC offers units that bring up to 14.4kW using a single branch whip.

# Output

|                                      |  |
|--------------------------------------|--|
| Nominal Output Voltage               | 120V,208V                              |
| Maximum Total Current Draw per Phase | 20A                                    |
| Output Connections                   | (21) NEMA 5-20R<br><br>(6) NEMA L6-20R |
| Always on Outlets                    | 21                                     |
| Overload Protection                  | No                                     |



# Input

|  |              |
|--|--------------|
| Nominal Input Voltage                            | 208V 3PH     |
| Input Frequency                                  | 50/60 Hz     |
| Regulatory Derated Input Current (North America) | 16A          |
| Input Connections                                | NEMA L21-20P |
| Cord Length                                      | 0.91 meters  |
| Number of Power Cords                            | 1            |
| Maximum Input Current per phase                  | 20A          |
| Load Capacity                                    | 5700 VA      |

# Physical

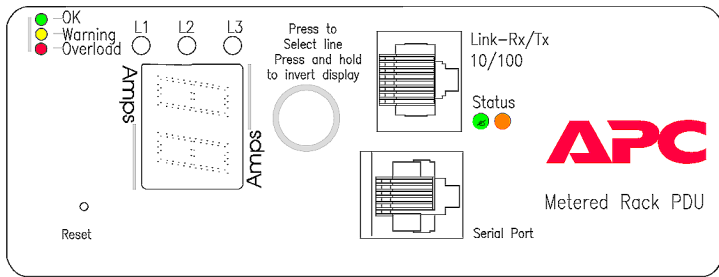
|                 |            |
|-----------------|------------|
| Net Weight      | 5.45 KG    |
| Maximum Height  | 1778.00 mm |
| Maximum Width   | 56.00 mm   |
| Maximum Depth   | 44.00 mm   |
| Shipping Weight | 8.86 KG    |
| Shipping Height | 2134.00 mm |
| Shipping Width  | 152.00 mm  |
| Shipping Depth  | 127.00 mm  |
| Color           | Black      |

# Environmental

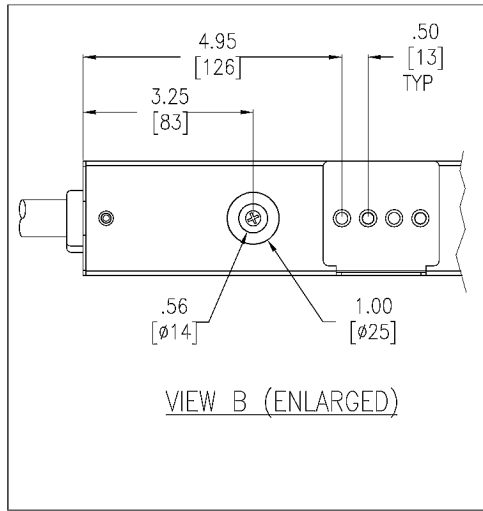
|                             |                |
|-----------------------------|----------------|
| Operating Environment       | 0 - 45 °C      |
| Operating Relative Humidity | 0%             |
| Operating Elevation         | 0-3000 meters  |
| Storage Temperature         | -25 - 65 °C    |
| Storage Relative Humidity   | 0%             |
| Storage Elevation           | 0-15000 meters |

## Conformance

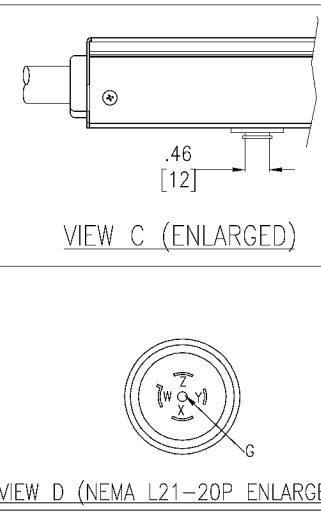
|                      |   |
|----------------------|---|
| Regulatory Approvals | cUL Listed,CSA C22.2 No. 60950-1-03,FCC Part 15 Class A,ICES-003,Industry Canada,UL 60950-1,UL Listed |
| Standard Warranty    | 2 years repair or replace   |
| ROHS/WEEE Compliance | RoHS 7b Exemption   |



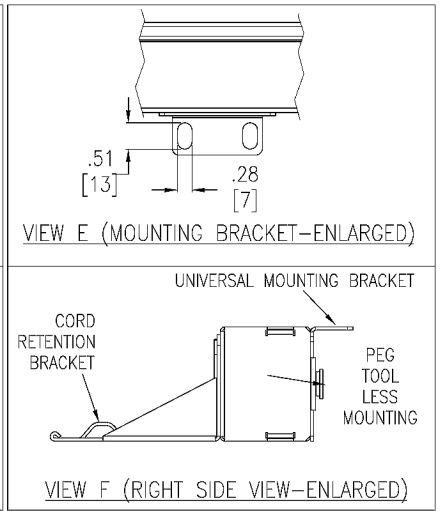
VIEW A (ENLARGED-DISPLAY INTERFACE)



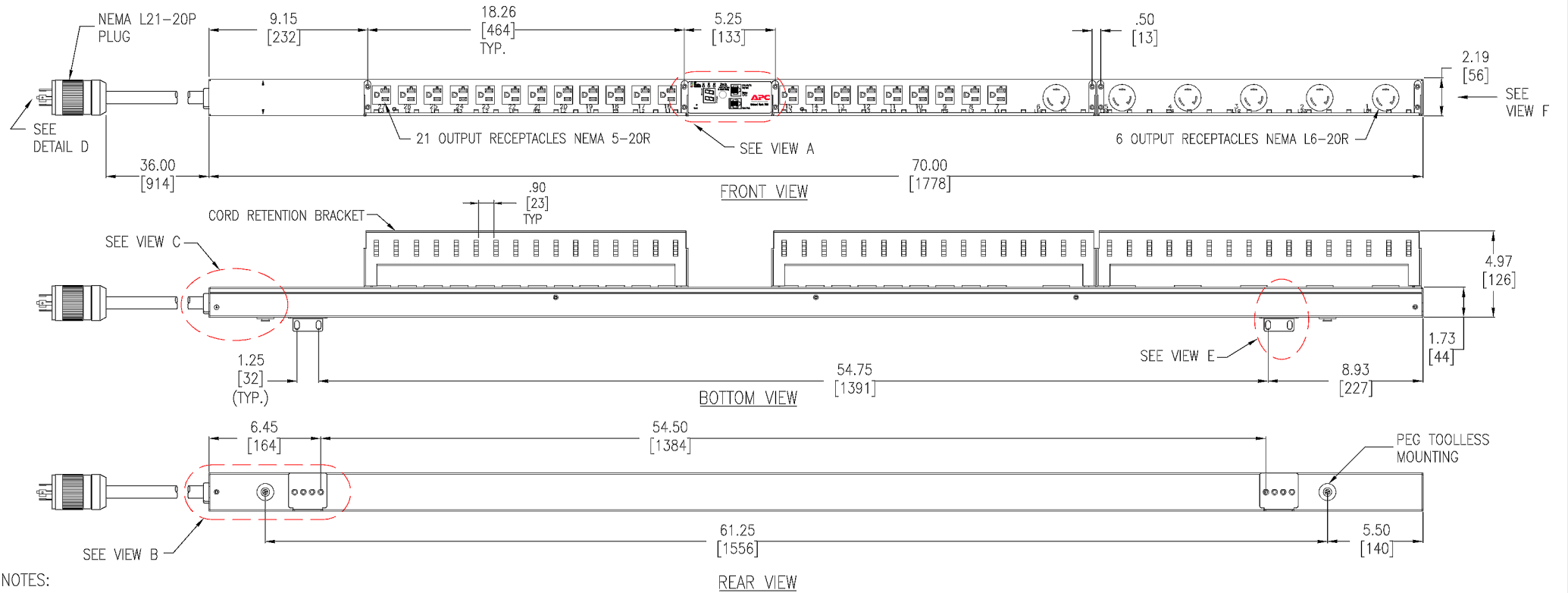
VIEW B (ENLARGED)



VIEW D (NEMA L21-20P ENLARGED)



VIEW F (RIGHT SIDE VIEW-ENLARGED)



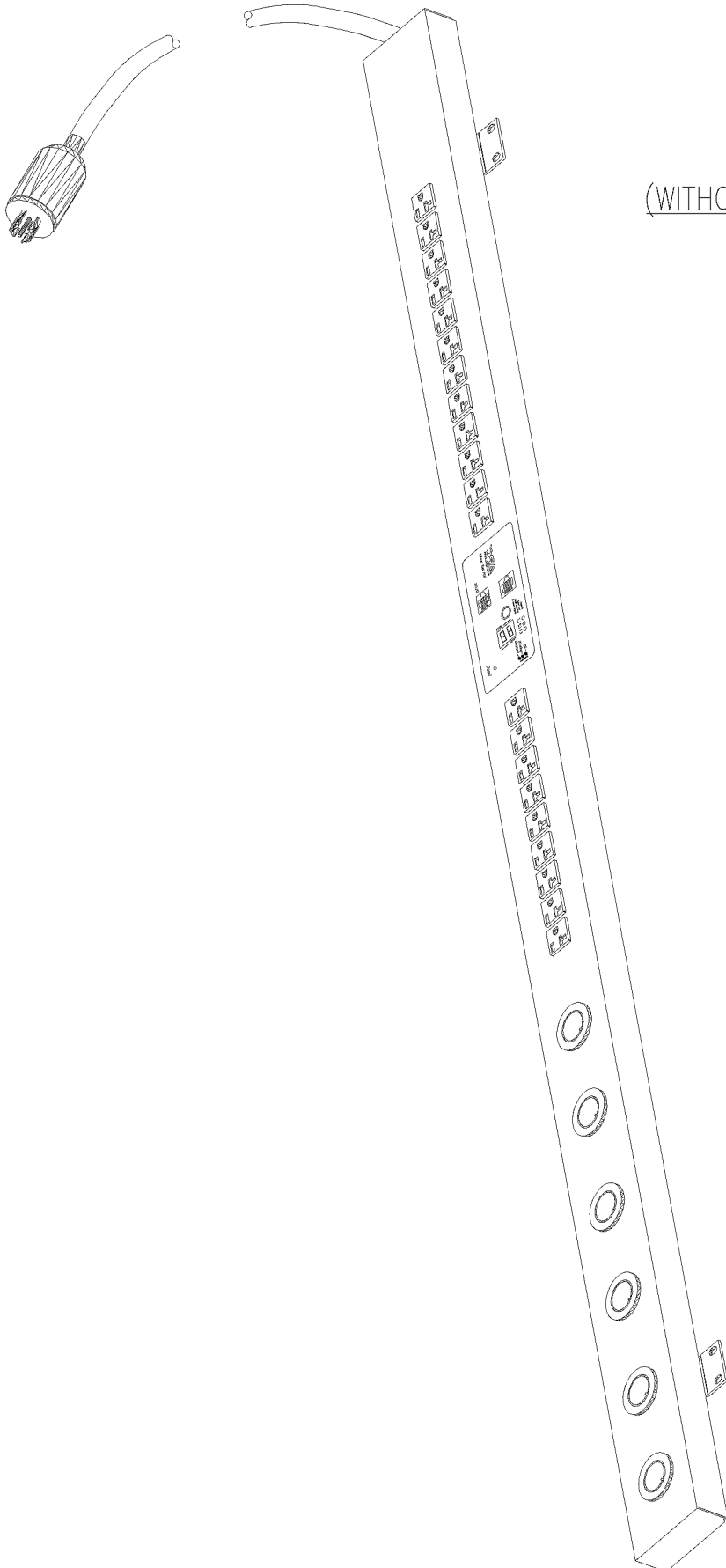
NOTES:

1. ALL DIMENSIONS ARE IN INCHES [MILLIMETERS].
2. NET WEIGHT IS 12 LBS [5.5kg]
3. UNIVERSAL MOUNTING BRACKET IS AN ALTERNATIVE MOUNTING METHOD TO THE TOOLLESS MOUNT FOR NON APC RACKS.
4. BRACKET KITS TO MOUNT TO SPECIFIC COMPETITORS RACKS ARE AVAILABLE AS OPTIONS.
5. INSTALLATION MUST COMPLY WITH ALL APPLICABLE NATIONAL AND LOCAL CODES.

THIS DRAWING AND SPECIFICATIONS HERIN ARE THE PROPERTY OF AMERICAN POWER CONVERSION AND SHALL NOT BE COPIED, REPRODUCED OR USED IN WHOLE OR IN PART, AS THE BASIS FOR THE MANUFACTURE OR SALE OF ITEMS WITHOUT WRITTEN PERMISSION FROM APC. THIS DRAWING IS BASED UPON LATEST AVAILABLE INFORMATION AND IS SUBJECT TO CHANGE WITHOUT NOTICE.

|          |   |           |                 |             |             |
|----------|---|-----------|-----------------|-------------|-------------|
| TITLE:   | RACK PDU, METERED<br>ZERO U, 5.7kW, 120 & 208V<br>INPUT:NEMA L21-20P<br>OUTPUT:(21)NEMA 5-20R & (6)NEMA L6-20R<br>MAIN MECHANICAL | DWG NO:   | AP7863-MM1      | REV:        | 1           |
| PROJECT: | SUBMITTAL DRAWING   | DRAWN BY: | JAYAPRAKASH     | CHECKED BY: | T.HORSTMANN |
|          | SHEET 1 OF 2  | ENGINEER: | J.RING/ E.SILVA |             |             |





ISOMETRIC VIEW  
(WITHOUT CORD RETENTION BRACKET)

THIS DRAWING AND SPECIFICATIONS HEREIN ARE THE PROPERTY OF AMERICAN POWER CONVERSION AND SHALL NOT BE COPIED, REPRODUCED OR USED IN WHOLE OR IN PART, AS THE BASIS FOR THE MANUFACTURE OR SALE OF ITEMS WITHOUT WRITTEN PERMISSION FROM APC. THIS DRAWING IS BASED UPON LATEST AVAILABLE INFORMATION AND IS SUBJECT TO CHANGE WITHOUT NOTICE.

TITLE: RACK PDU, METERED  
 ZERO U, 5.7kW, 120 & 208V  
 INPUT:NEMA L21-20P  
 OUTPUT:(21)NEMA 5-20R & (6)NEMA L6-20R  
 ISOMETRIC VIEW  
 PROJECT: SUBMITTAL DRAWING SHEET 2 OF 2

|             |                 |        |
|-------------|-----------------|--------|
| DWG NO:     | AP7863-MM2      | REV. 1 |
| DRAWN BY:   | JAYAPRAKASH     |        |
| CHECKED BY: | T.HORSTMANN     |        |
| ENGINEER:   | J.RING/ E.SILVA |        |





# Metered Rack PDU

## Overview

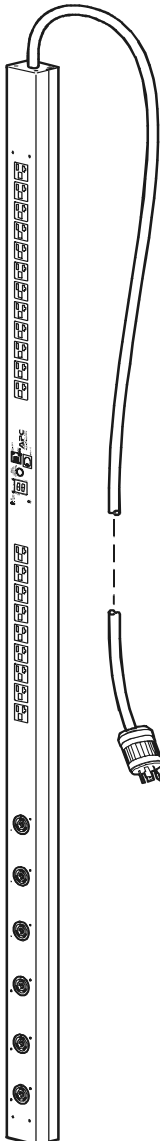
The American Power Conversion® Metered Rack PDU distributes power to devices in the rack. It has a sensor that measures the current that it and its attached devices use. It can be monitored through Web, Telnet, SNMP, SSH, or InfraStruXure™ Manager interfaces.

**Outlets.** The Rack PDU has twenty-one (21) NEMA 5-20 outlets and six (6) NEMA L6-20 outlets.

**Display interface.** A digital display shows aggregate current being used by the Rack PDU.

**Power cord.** The 3-foot (0.91-meter) power cord terminates with a NEMA L21-20 connector.

## AP7863





# Specifications for AP7863

---

## Electrical

---

|                          |   |
|--------------------------|---|
| Input connector          | NEMA L21-20 plug                                  |
| Output connectors        | (21) NEMA 5-20 outlets,<br>(6) NEMA L6-20 outlets |
| Nominal input voltage    | 120/208 VAC 3-phase                               |
| Acceptable input voltage | ± 10% of normal voltage                           |
| Input frequency          | 47–63 Hz  |

---

## Physical

---

|                                    |  |
|------------------------------------|--|
| (H × W × D)                        | 70.00 × 2.19 × 1.73 in<br>(177.80 × 5.56 × 4.39 cm)  |
| Shipping dimensions<br>(H × W × D) | 84.00 × 6.00 × 5.00 in<br>(213.36 × 15.24 × 12.7 cm) |
| Weight                             | 12 lb (5.4 kg)                                       |
| Shipping weight                    | 19.5 lb (8.8 kg)                                     |

---

## Environmental

---

|                                  |                              |
|----------------------------------|------------------------------|
| Maximum elevation<br>(above MSL) |                              |
| Operating                        | 15 000 ft (4500 m)           |
| Storage                          | 50 000 ft (15 000 m)         |
| Temperature                      |                              |
| Operating                        | –5 to 45° C (23 to 115° F)   |
| Storage                          | –25 to 65° C (–13 to 149° F) |
| Humidity                         |                              |
| Operating                        | 5–95% RH Non-condensing      |
| Storage                          | 5–95% RH Non-condensing      |

---

## Compliance

---

|                     |   |
|---------------------|---|
| EMC verification    | FCC Part 15 Class A<br>ICES-003 Class A |
| Safety verification | UL, cUL 60950                           |

---



990-1952